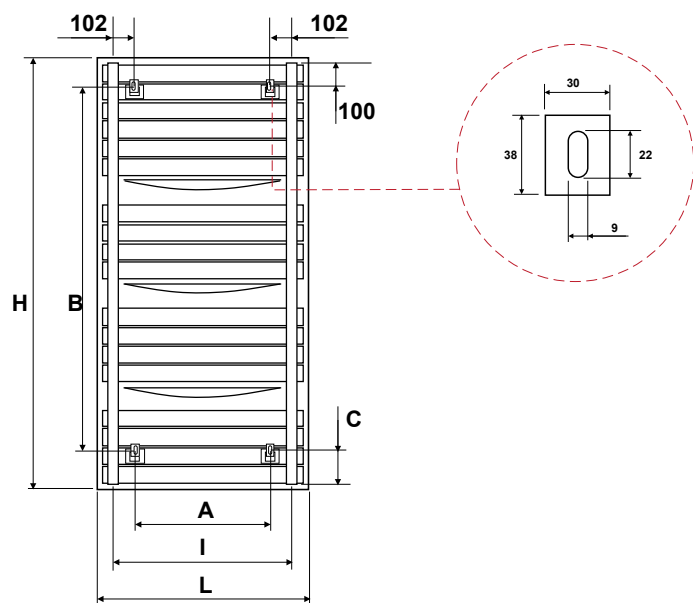


# CUT/ Istruzioni di montaggio / Fitting instructions



codice	A	B	C	H	I	L
FCUT12620	356	975	126	1220	560	635
FCUT15620	356	1275	126	1520	560	635
FCUT18620	356	1575	126	1820	560	635
FCUT10460	756	300	51	470	960	1035
FCUT10610	756	375	126	620	960	1035
FCUT12460	956	300	51	470	1160	1235
FCUT12610	956	375	126	620	1160	1235
FCUT15460	1256	300	51	470	1460	1535
FCUT15610	1256	375	126	620	1460	1535